



StarTec XT


The flexible multi-purpose formwork
with the combination tie hole



Single-sided or two-sided tying

Flexibility and cost-effectiveness in the next generation

The StarTec XT with the integrated combination tie hole unites three tying methods in one system. It is possible to switch between these with a flick of the wrist – without installing additional parts. You thus remain flexible and profit from significantly shorter formwork placing times when tying from one side. Another advantage: StarTec XT is fully compatible with StarTec and the lightweight, crane-independent AluStar.



The StarTec XT multi-purpose formwork with its permissible fresh-concrete pressure capacity of 60 kN/m² is the ideal solution for applications in residential and commercial construction.

i

Simply smart

- **Size**
 - Forming area up to 8.91 m² per panel (330 x 270 cm)
 - Panel heights 330, 270 and 135 cm and only 8 panel widths for trouble-free corner solutions for all wall thicknesses
- **Performance**
 - Permissible fresh-concrete pressure load (as per DIN 18218) of 60 kN/m² (DIN 18202, Table 3, line 6)
- **Universal use in commercial and residential housing construction**
- **Closed steel profile**
 - Structurally robust
 - Torsionally rigid
 - Hot-dip galvanised for easy cleaning and reduced concrete adhesion
- **Clever multi-function profile**
 - Multi-function profile made of closed steel profile with welded-in DW 15 nuts for quick and secure attachment of accessories with only one a single part – the flange screw
- **Combination tie hole integrated into the frame with its rotating sphere for three tying methods in one system**
 - No assembly time for additional parts and accessories
 - No loose parts
 - Simple handling
- **Initial and final formwork identical**
- **Sophisticated MEVA product design**
 - MEVA assembly lock to produce non-positive connections with just a few hammer blows
 - Bump notches for panel widths of 135 cm and greater for simple alignment and adjustment with a crowbar
 - High-quality alkus all-plastic facing with 7-year warranty
 - Uniform flange screw for all accessories
- **Complete compatibility with StarTec and AluStar**



Integrated combination tie hole

Select between three tying methods with a flick of the wrist

Enabled by the variable combination tie hole

One system – 3 tying methods

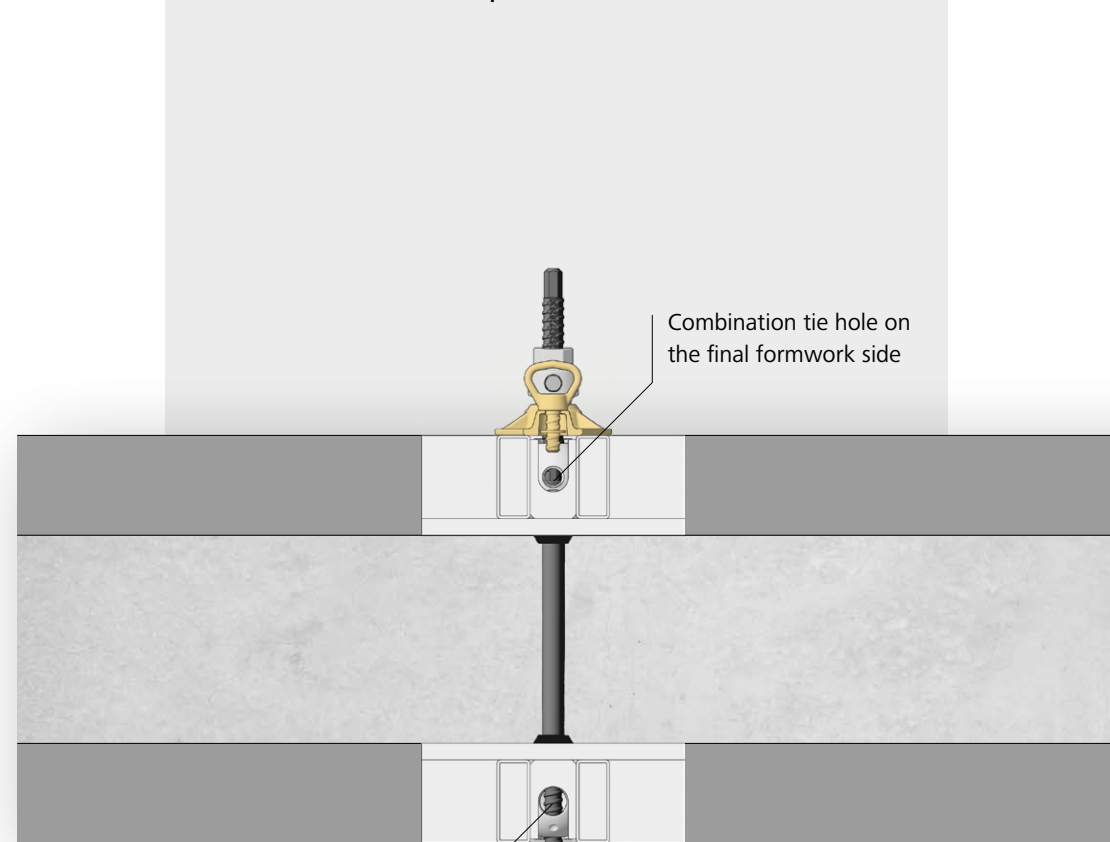
Choose the best tying method!

Every construction site is unique, and the formwork requirements vary from project to project. StarTec XT creates an ideal basis for this as the system ensures that you remain flexible and well equipped for every task. Thanks to the smart combination tie hole, it is possible to select between three tying methods with a flick of the wrist. Every panel can be used for both initial and final formwork without additional assembly work. This saves times and simplifies the logistics.

The system combines three tying methods.

With StarTec XT, there are no additional accessories that require complex and time-consuming assembly work.

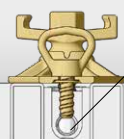
1 Single-sided tying with XT taper tie 23



Combination tie hole on the initial formwork side

2

Single-sided tying
with XT tie rod DW 20
and plastic tube



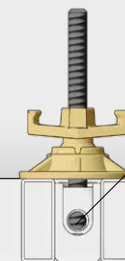
Combination tie hole on
the final formwork side

Combination tie hole on
the initial formwork side



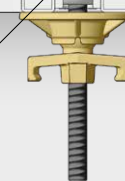
3

Two-sided tying
with tie rod DW 20
and plastic tube



Combination tie hole on
the final formwork side

Combination tie hole on
the initial formwork side



Completely integrated

The smart combination StarTec XT tie hole

Ties with tapered anchor sleeves or DW 20 threads – the combination tie hole makes them possible.

By using an internal body that can be positioned as required with the XT combi-lever, the tying method can be changed easily with a flick of the wrist.

The combination tie hole is integrated into the frame, ensuring that no parts protrude. No installation and removal are required.

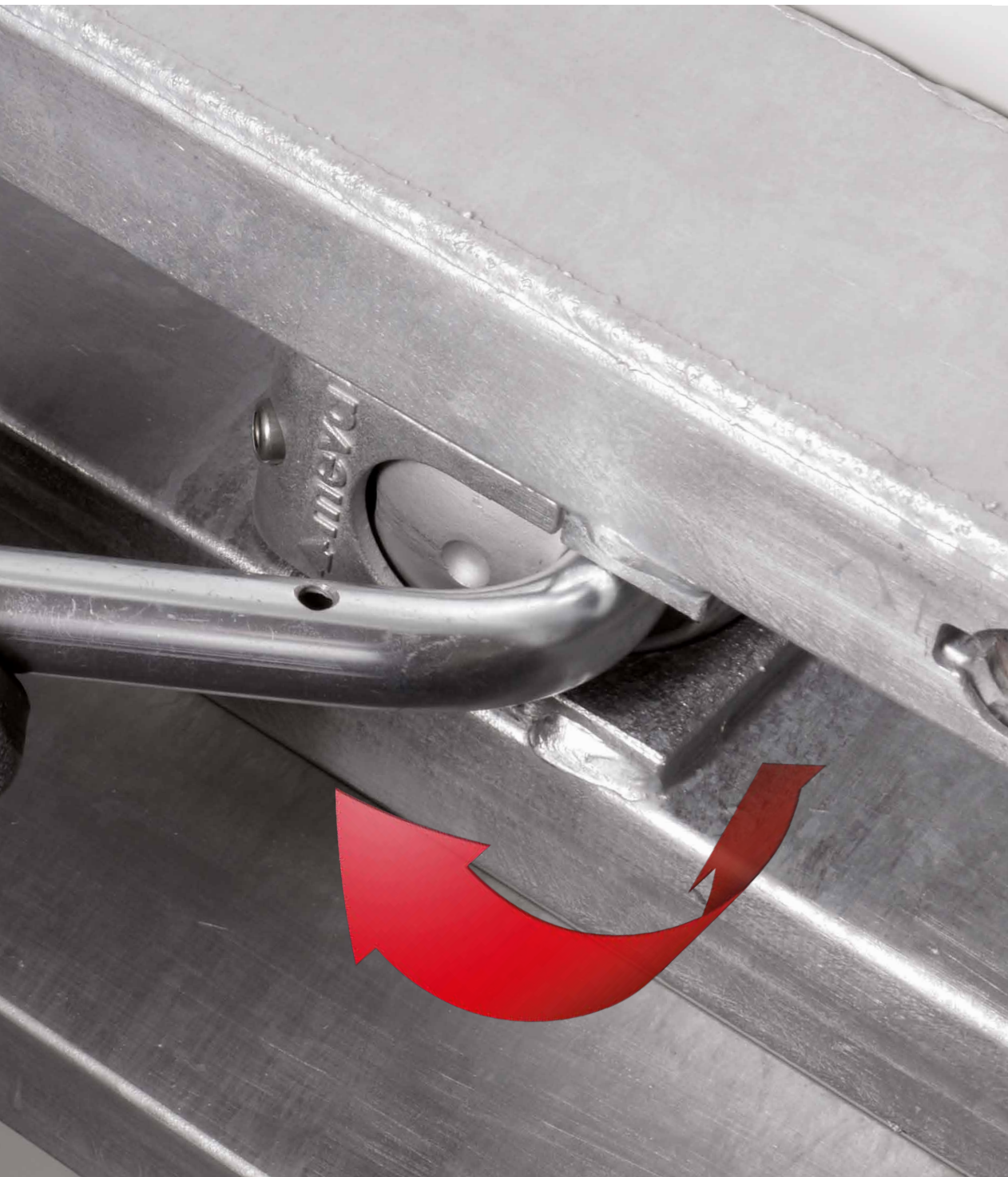


Combination tie hole in thread position



Combination tie hole in anchor sleeve position





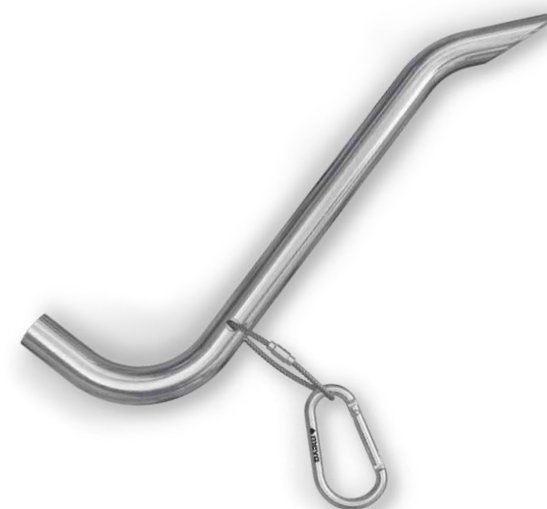
Small tool – huge impact

The XT combi-lever

The XT combi-lever is a universal formwork tool fitted with a karabiner that can be attached anywhere.

Depending on the tying method, the XT combi-lever can be used in a wide variety of ways, e.g.

- To set the tying method in the combination tie hole
- To remove the XT sealing cone from the wall formwork panel



StarTec XT

A wall full of ideas

Typical StarTec – in every detail

MEVA systems stand out due to a maximum of efficiency, quality and practical details. This also applies to the tried-and-tested multi-purpose formwork StarTec XT. With its uniform system components, small number of accessories and a perfectly coordinated range of options, has everything it takes to ensure that a MEVA system is the best solution for construction site applications.

- Complete compatibility with StarTec and AluStar
- Combinable with MEVA accessories



Flange screw

Single component for strong connection of all accessories

Multi-function profile

Made from closed hollow steel profiles with welded-in DW 15 nuts for rapid, structurally continuous connection of accessories

Combination tie hole

With a rotating body for single-sided and two-sided tying (three tying methods)

Hot-dip galvanised frame

Surface finish facilitates cleaning and reduces concrete adhesion

Closed hollow profile

For high stability and a long service life

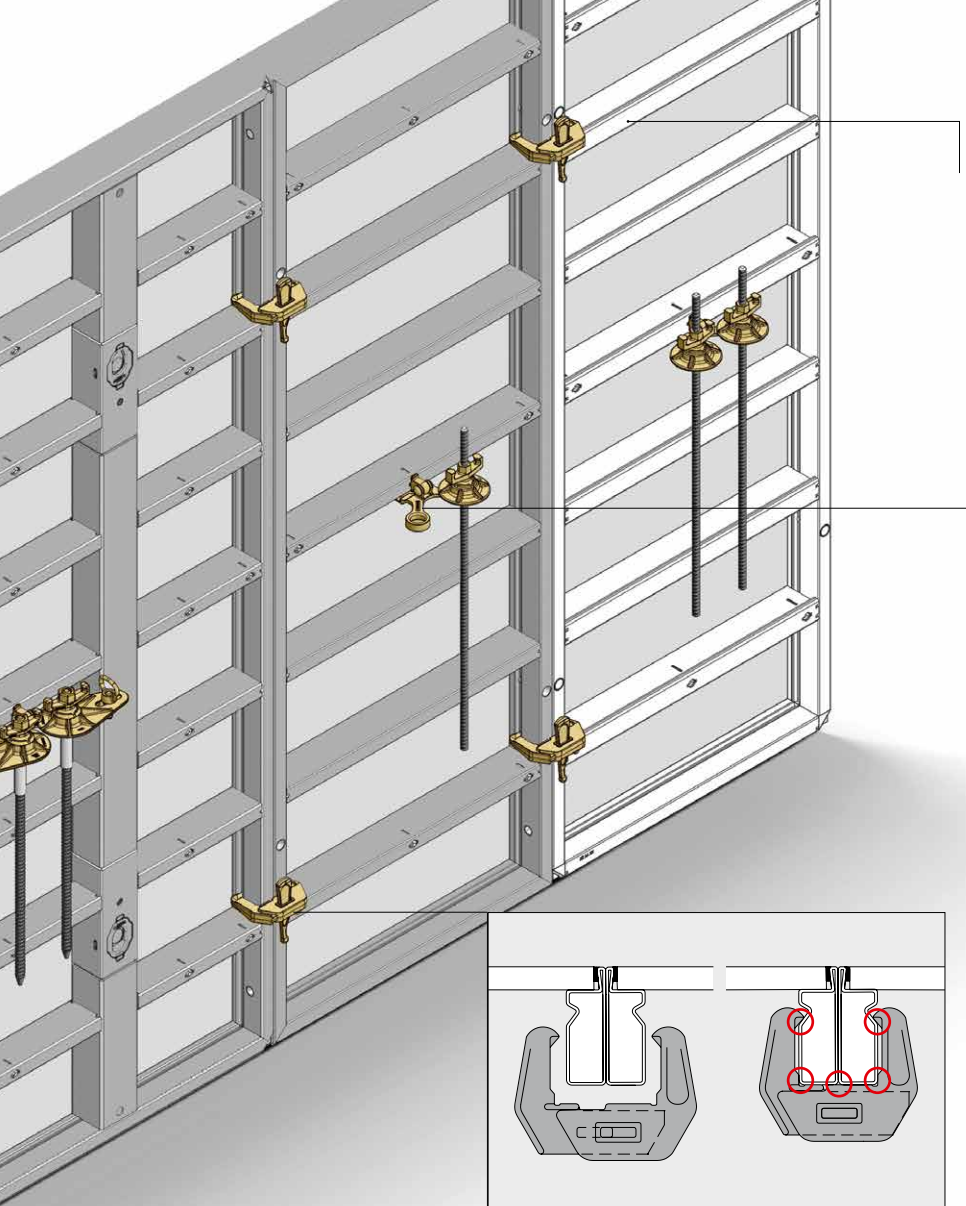
Transport hole

Designed to take lifting hook 40 for rapid loading/unloading and movement of panel stacks

Bump notch

Fitted at four corners for panel widths of 135 cm and more to simplify adjustment and alignment with crow bar

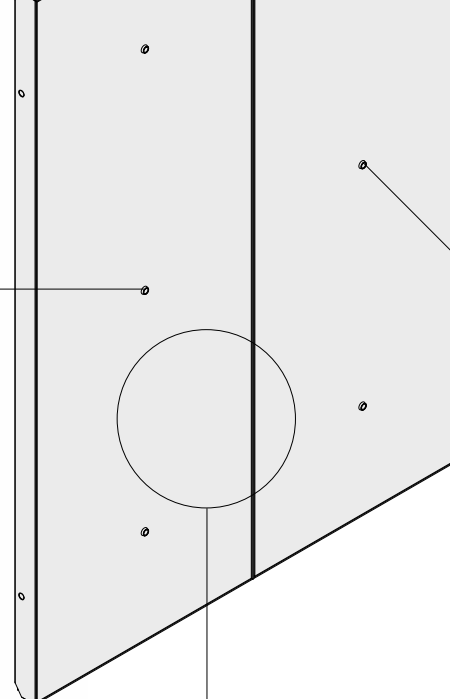




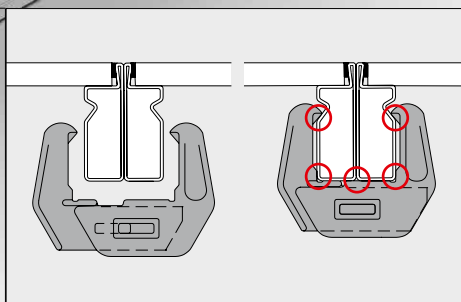
Fully compatible with lightweight AluStar



Sealing cone
XT sealing cone for initial and final formwork when tying from one side.



Sealing plugs
Available in three versions to close off unused tie holes in the XT panel.



AS assembly lock
Only one component needed for rapid, reliable panel connection: MEVA assembly lock. Allows single-handed fitting at any position along the frame. A few hammer blows suffice to achieve a strong, level and stepless panel connection.



Tie rod fixture
Can be attached to the multi-function profile of the vertical or horizontal StarTec XT panel – for safe and rapid transport on the construction site.



alkus all-plastic facing
The alkus formwork facing does not absorb water, swell or shrink. The rugged, smooth surface guarantees first-class quality of the concrete even after repeated use.

Optimally combined for single-sided tying

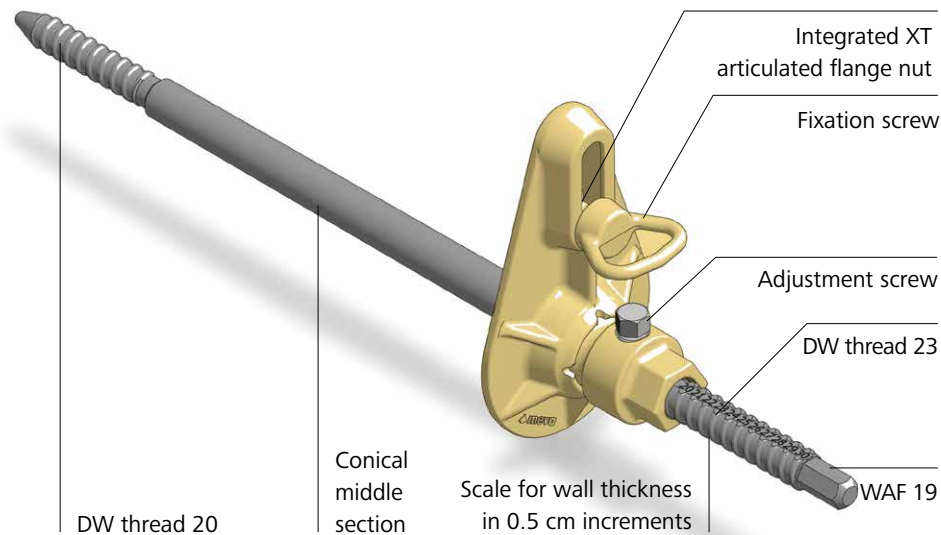
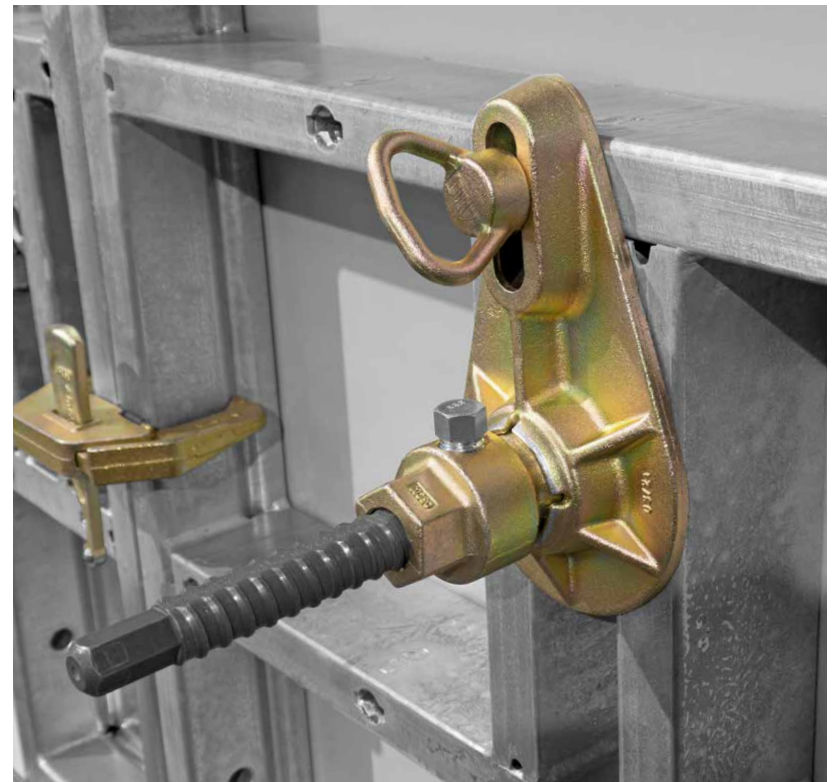
XT taper tie 23

Wall thicknesses from 15 to 55 cm

The XT taper tie 23 is available in various lengths for different wall thicknesses:

- 15–25 cm
- 20–30 cm
- 35–45 cm
- 45–55 cm

The wall thickness can be set in 0.5 cm increments with the adjustment screw.
The required wall thickness can be read off the scale.



MEVA multi-stop 23

The MEVA multi-stop 23 is a watertight internal seal for flush, single-sided application in formwork tie holes accommodating XT taper ties 23. Apart from sealing against hydrostatic pressure and gas, it is fire-tested and sound-insulating.



XT tie rod DW 20

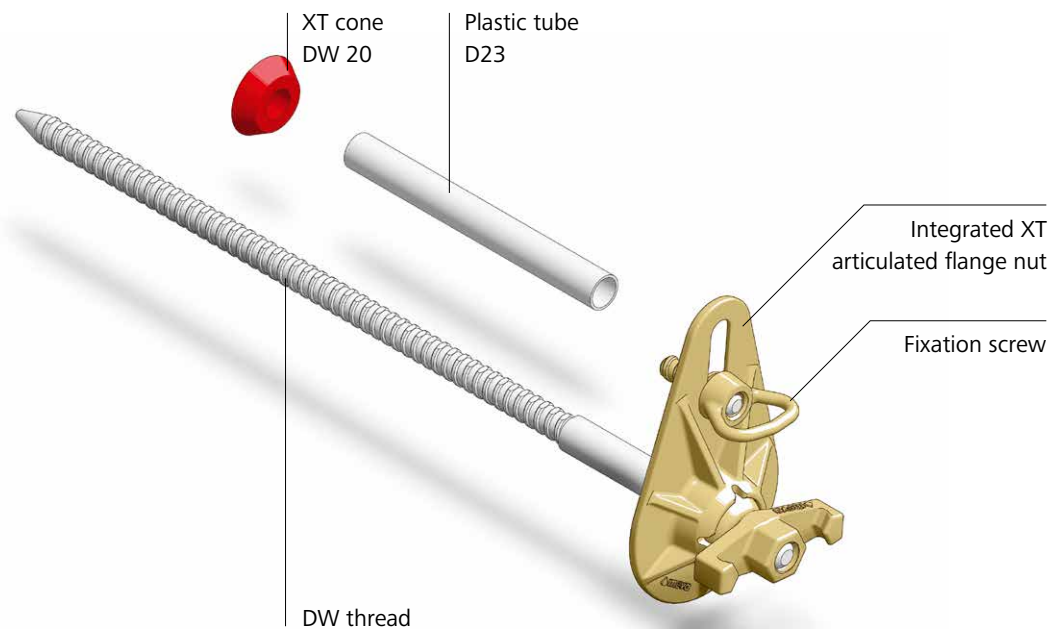
Wall thicknesses up to 85 cm

The XT tie rod DW 20 is available in two lengths and can be used for all wall thicknesses.

- 0-40 cm
- 0-85 cm

The wall thickness is determined by the length of the plastic tube.

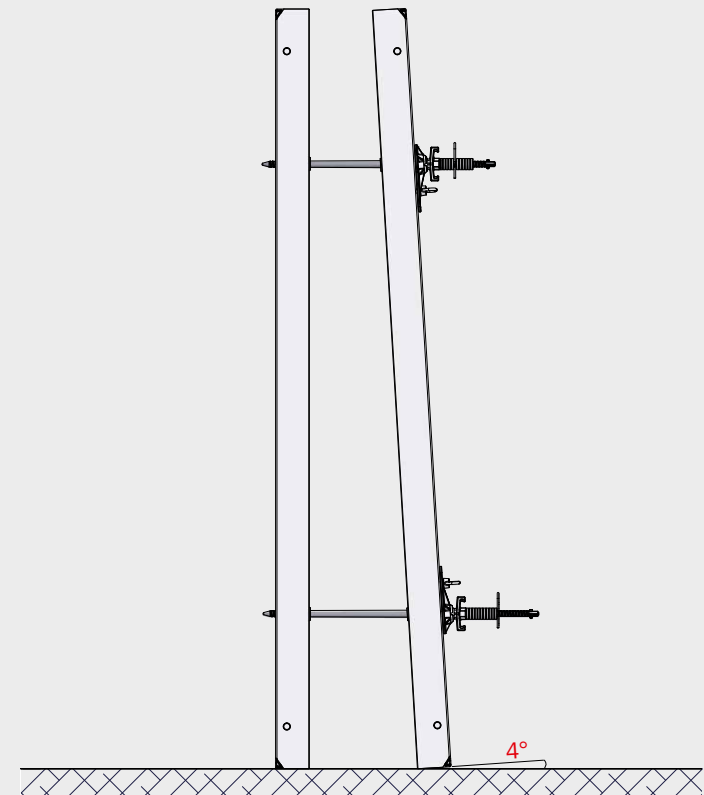
Plastic tubes D23 are available in the corresponding lengths for wall thicknesses of 20, 25, 30 and 35 cm.



i

Inclined panels

The clever XT combination tie hole and the XT taper tie enable a panel with an angle of inclination up to 4° to be tied simply and quickly. They can also compensate for angular misalignments up to 4° between adjacent and height-extended panels.



Systematically planned

StarTec XT panels and corners

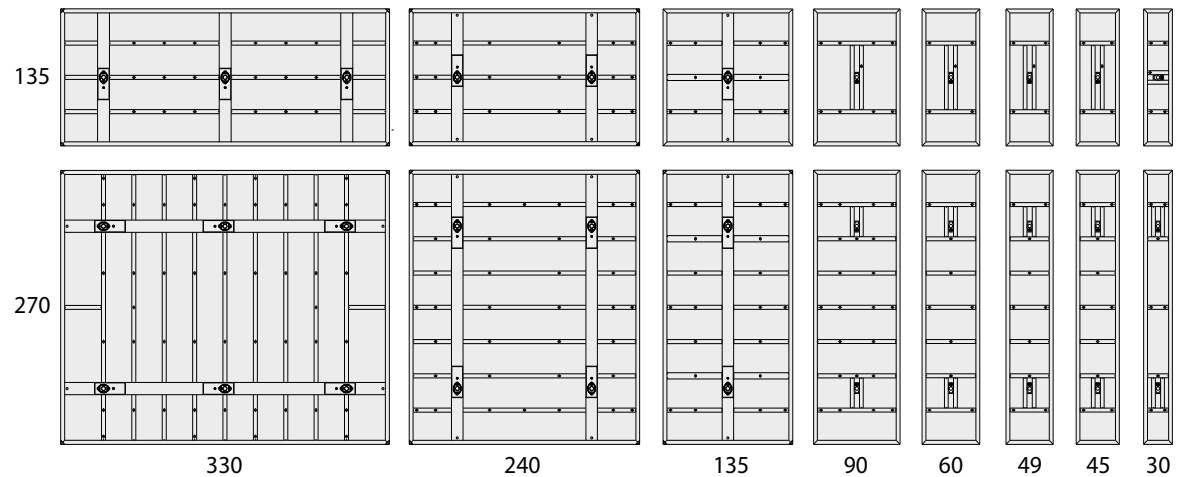
Tried-and-tested flexibility

With the panel heights 330 cm, 270 cm and 135 cm as well as panel widths from 270 cm to 30 cm, StarTec XT enables quick adaptation to the geometry of the building. Thanks to the range of panels, all common wall thickness can be formed without filler areas.

Furthermore, the system includes steplessly adjustable 60° to 180° hinged corners.

Heights [cm]	Panel width [cm]									Corner panels					Compensation
	330	270	240	135	90	60	49	45	30	IC	OC	HIC	HOC	SC	F
330		■		■	■	■	■	■	■	■	■	■	■	■	
270			■	■	■	■	■	■	■	■	■	■	■	■	■
135	■		■	■	■	■	■	■	■	■	■	■	■	■	■

- IC Inside corner, with side length 25 cm
- OC Outside corner with side lengths 0 cm, 5 cm and 10 cm
- HIC Hinged inside corner, with side length 30 cm
- HOC Hinged outside corner, with side length 7.5 cm
- SC Stripping corner, with side length 25 cm
- F Filler, 5 cm

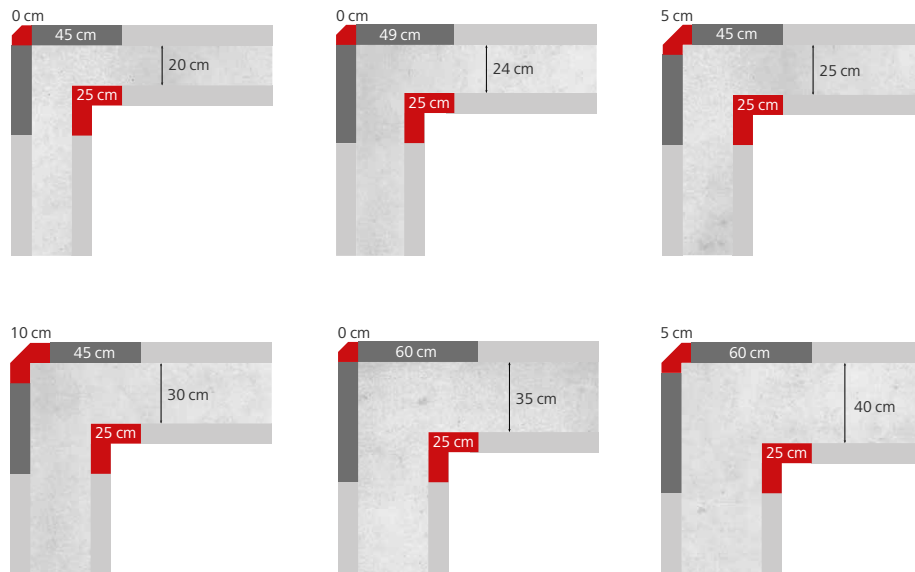


Only 3 outside corners and 1 inside corner

Simple forming of corners

Everything you need.

With only three outside corners (side lengths 0, 5 and 10 cm) and one inside corner (side length 25 cm) as well as six intermediate panel widths, corners can be formed without problem for every wall thickness.



Pioneer and trendsetter

More with MEVA

Formwork. Simple. Smart.

A lot of things that are now considered to be standard in the formwork industry were developed by MEVA in Haiterbach. As a trendsetter for the entire industry, we work day in and day out with great élan to make formwork even safer, more efficient and easier to use for the end user. For us, the excellent quality of our products and technology is a matter of course.

We are independent, family-run and committed to the values of a medium-sized company in everything we do. That is why our customers may rightly expect not only technologically superior products but also comprehensive, personal commitment to projects all around the world.

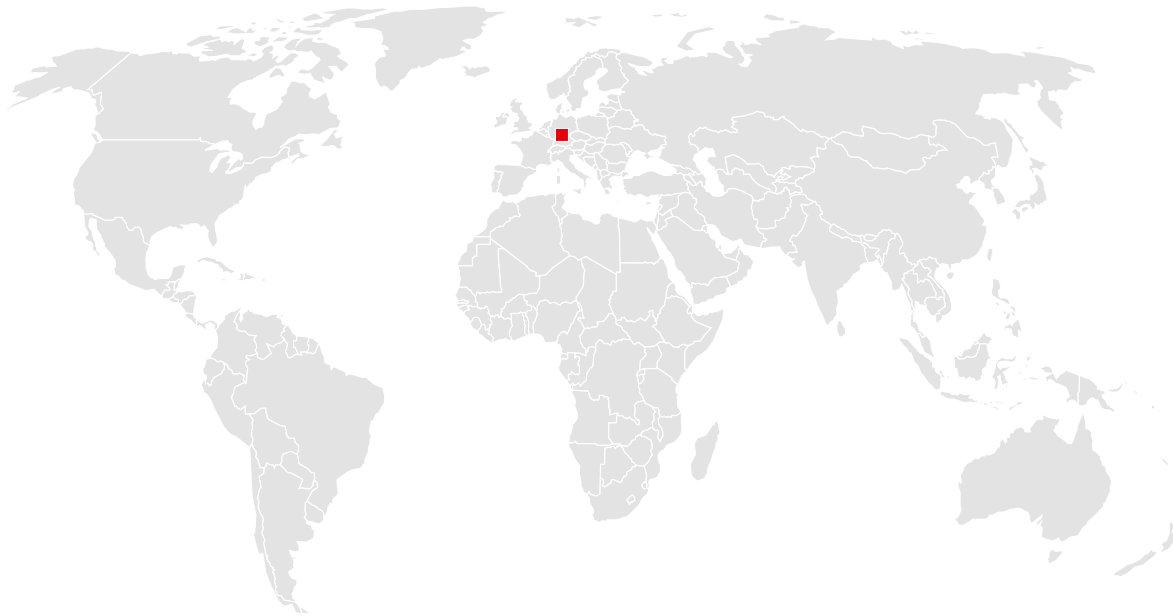
Complex special formwork or economical standard formwork: Our experience and wide range of products make us a service partner with strong consulting skills, even for the sophisticated challenges construction professionals have to master nowadays.

*Formwork.
Simple. Smart.*

▲ meva

You can rely on us wherever you are.

With 40 offices on 5 continents, we are
on the spot wherever you need us.



Headquarters (Germany)

MEVA Schalungs-Systeme GmbH
Industriestrasse 5
72221 Haiterbach
Tel. +49 7456 692-01
Fax +49 7456 692-66

info@meva.net
www.meva.net

Subsidiaries/international bases

AE-Dubai	Tel. +971 4 8042200	LATAM	latam@meva.net
AT-Pfaffstätten	Tel. +43 2252 20900-0	LU-Rodange	Tel. +352 20 283747
AU-Adelaide	Tel. +61 8 82634377	MA-Casablanca	Tel. +212 684-602243
BE-Landen	Tel. +32 11 717040	MY-Perak	Tel. +60 12 5209337
BH-Riffa	Tel. +973 3322 4290	NL-Gouda	Tel. +31 182 570770
CA-Toronto	Tel. +1 416 8565560	NO-Oslo	Tel. +47 67 154200
CH-Seon	Tel. +41 62 7697100	PA-Panama City	Tel. +507 2372222
DK-Holbæk	Tel. +45 56 311855	PH-Manila	Tel. +63 998 5416975
FR-Sarreguemines	Tel. +33 387 959938	QA-Doha	Tel. +974 4006 8485
GB-Tamworth	Tel. +44 1827 60217	SG-Singapore	Tel. +65 67354459
HU-Budapest	Tel. +36 1 2722222	US-Springfield	Tel. +1 937 3280022
IN-Mumbai	Tel. +91 22 27563430		



MEVA Schalungs-Systeme GmbH

Industriestrasse 5 Tel. +49 7456 692-01
72221 Haiterbach Fax +49 7456 692-66
Germany info@meva.net

www.meva.net