



Mammut XT

The flexible wall formwork system



Variable tying with minimal effort

Large-area formwork has never been this flexible and easy to use

Mammut is the high-performance, economical solution for modular large-scale construction. With the new Mammut XT system MEVA is setting new standards and thus continuing its success story in the field of 100 kN/m² formwork. As a convincing solution on construction sites Mammut XT maximises cost effectiveness. Mammut XT – the formwork for building construction and civil engineering.



// I am convinced by tangible arguments: 30% less formwork time and significantly fewer components – this offers me clear efficiency advantages//

i

Simply smart

- **Size**
 - Up to 8.75 m² contact area per panel (350 x 250 cm)
 - For storey heights up to 350 cm without vertical extension
- **Capacity**
 - Permissible fresh concrete pressure (to DIN 18218) over entire surface of 100 kN/m² (DIN 18202, Tab. 3, Line 7)
- **Universal application in industrial construction and civil engineering**
- **Closed steel profile**
 - Structurally robust
 - Torsion-proof
 - Hot-dip galvanised to facilitate cleaning and reduce concrete adhesion
- **Smart multifunctional profile**
 - Welded-in Dywidag nuts
 - All accessories, e.g. brackets, push-pull props and alignment rails, attached with MEVA flange screw
- **Combination tie hole integrated into the formwork frame**
 - No assembly time for additional parts and accessories
 - No loose parts
 - Simple handling
- **Initial and final formwork are identical**
- **Intelligent MEVA product design**
 - MEVA assembly lock for a structurally continuous connection with only a few hammer blows
 - Bump notches for panel widths of 125 cm and more to simplify adjustment and alignment with crow bar
 - High-quality alkus all-plastic facing with 7-year warranty
- **Compatible with Mammut 350**



Integrated combination tie hole

Select between three tying methods with a flick of the wrist



Firmly attachable tie rod holder

Can be attached anywhere in the system



Assembly lock holder

Integrated into the cross stiffeners – for simple logistics on the construction site

Enabled by the variable combination tie hole

One system – 3 tying methods

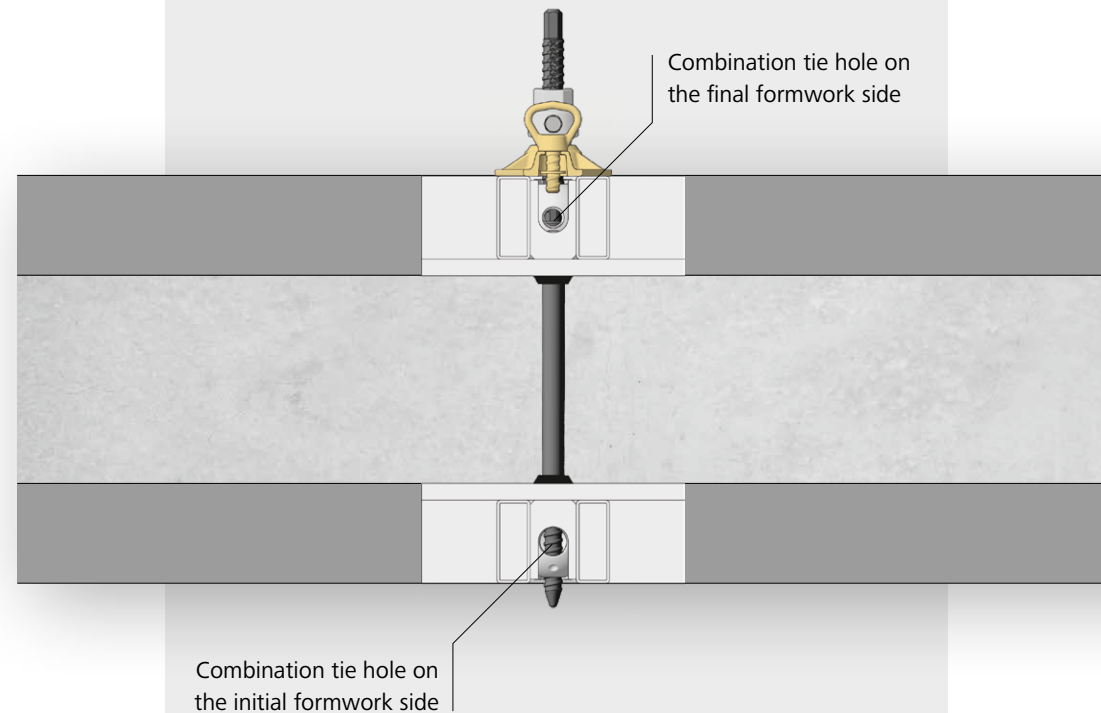
Choose the best tying method!

Every construction site is unique, and the formwork requirements vary from project to project. Mammut XT creates an ideal basis for this as the system ensures that you remain flexible and well equipped for every task. Thanks to the smart combination tie hole, it is possible to select between three tying methods with a flick of the wrist. Every panel can be used for both initial and final formwork without additional assembly work. This saves times and simplifies the logistics.

The system combines three tying methods.

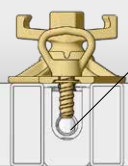
With Mammut XT, there are no additional accessories that require complex and time-consuming assembly work.

1 Single-sided tying with XT taper tie 23



2

Single-sided tying
with XT tie rod DW 20
and plastic tube



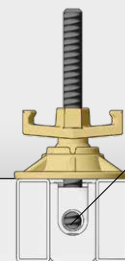
Combination tie hole on
the final formwork side

Combination tie hole on
the initial formwork side



3

Two-sided tying
with tie rod DW 20
and plastic tube



Combination tie hole on
the final formwork side

Combination tie hole on
the initial formwork side



Completely integrated

The smart combination Mammut XT tie hole

Ties with tapered anchor sleeves or DW 20 threads – the combination tie hole makes them possible.

By using an internal body that can be positioned as required with the XT combi-lever, the tying method can be changed easily with a flick of the wrist.

The combination tie hole is integrated into the frame, ensuring that no parts protrude. No installation and removal are required.



Combination tie hole in thread position



Combination tie hole in anchor sleeve position





Small tool – huge impact

The XT combi-lever

The XT combi-lever is a universal formwork tool fitted with a karabiner that can be attached anywhere.

Depending on the tying method, the XT combi-lever can be used in a wide variety of ways, e.g.

- To set the tying method in the combination tie hole
- To remove the XT sealing cone from the wall formwork panel



Mammut XT

A wall full of ideas

Typical Mammut – in every detail

As a result of systematic development work, Mammut XT sets new standards for simple and flexible large-scale formwork assembly. MEVA technology is a convincing solution - both as an overall system and in all its details.

- Securing options: all cross stiffeners are multi-function profiles
- Combinable with all MEVA accessories

Flange screw

Single component for strong connection of all accessories



Multi-function profile

Made from closed hollow steel profiles with welded-in DW 15 nuts for rapid, structurally continuous connection of accessories

Combination tie hole

with a rotating body for single-sided and two-sided tying (three tying methods)

Closed hollow profile

For high stability and a long service life

Hot-dip galvanised frame

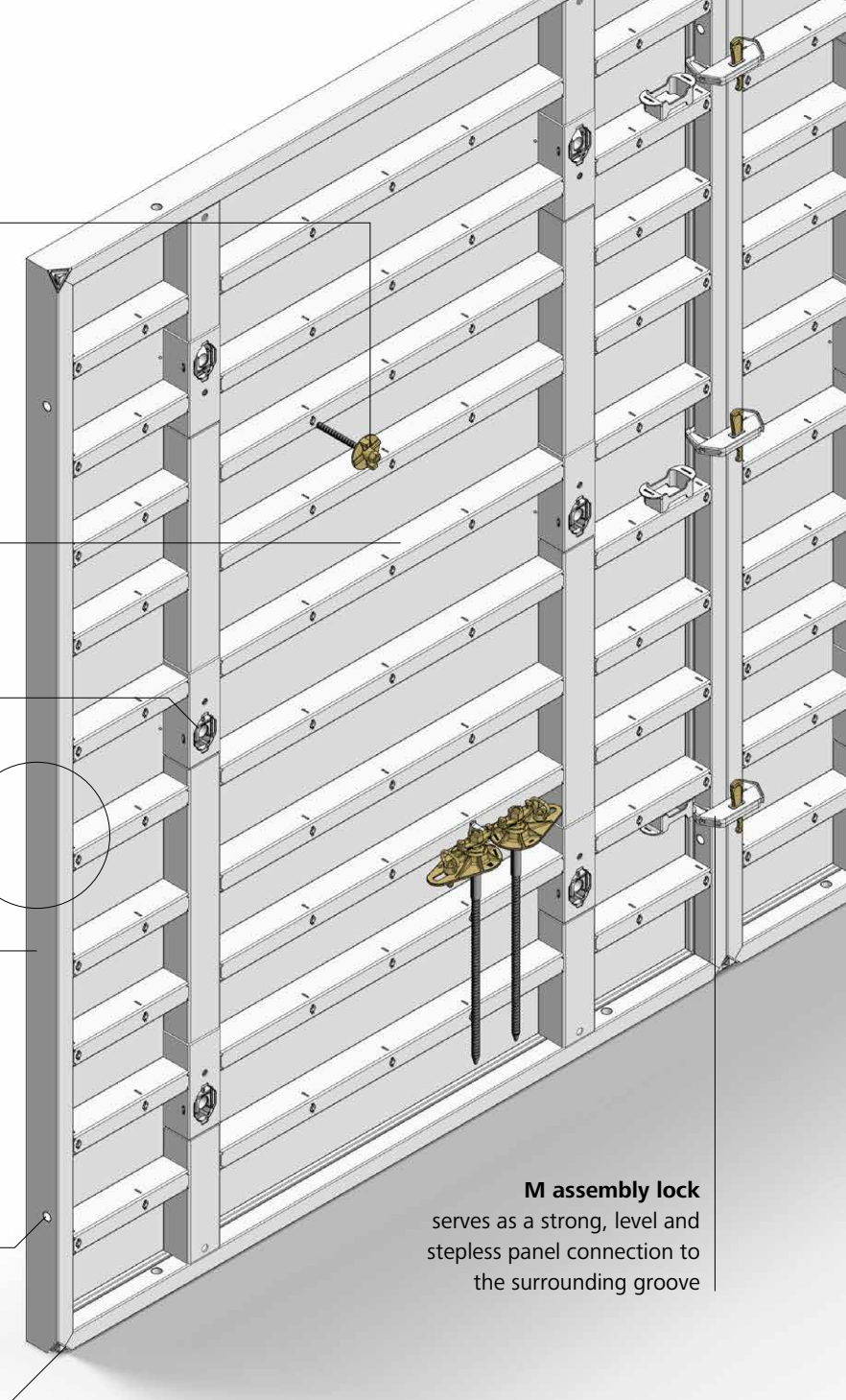
Surface finish facilitates cleaning and reduces concrete adhesion

Transport hole

Designed to take the lifting hook 60 for rapid loading/unloading and movement of panel stacks

Bump notch

Fitted at four corners for panel widths of 125 cm and more to simplify adjustment and alignment with crow bar



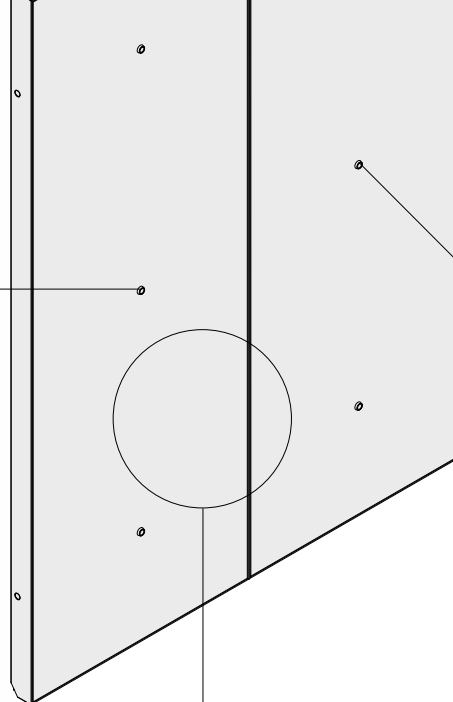
M assembly lock serves as a strong, level and stepless panel connection to the surrounding groove



Sealing cone
 XT sealing cone for initial and final formwork when tying from one side.



Sealing plugs
 available in three versions to close off unused tie holes in the XT panel.



Tie rod fixture
 can be attached to the multi-function profile of the vertical or horizontal Mammut XT panel – for safe and rapid transport on the construction site.



Assembly lock holder
 The MEVA assembly lock holders are integrated into the cross stiffeners of the Mammut XT panels with a width of 250 cm and 125 cm. This simplifies the construction site logistics.



alkus all-plastic facing
 The alkus formwork facing does not absorb water, swell or shrink. The rugged, smooth surface guarantees first-class quality of the concrete even after repeated use.

Optimally combined for single-sided tying

XT taper tie 23

Wall thicknesses from 15 to 55 cm

The XT taper tie 23 is available in various lengths for different wall thicknesses:

- 15–25 cm
- 20–30 cm
- 35–45 cm
- 45–55 cm

The wall thickness can be set in 0.5 cm increments with the adjustment screw. The required wall thickness can be read off the scale.

MEVA multi-stop 23

The MEVA multi-stop 23 is a watertight internal seal for flush, single-sided application in formwork tie holes accommodating XT taper ties 23. Apart from sealing against hydrostatic pressure and gas, it is fire-tested and sound-insulating.



XT tie rod DW 20

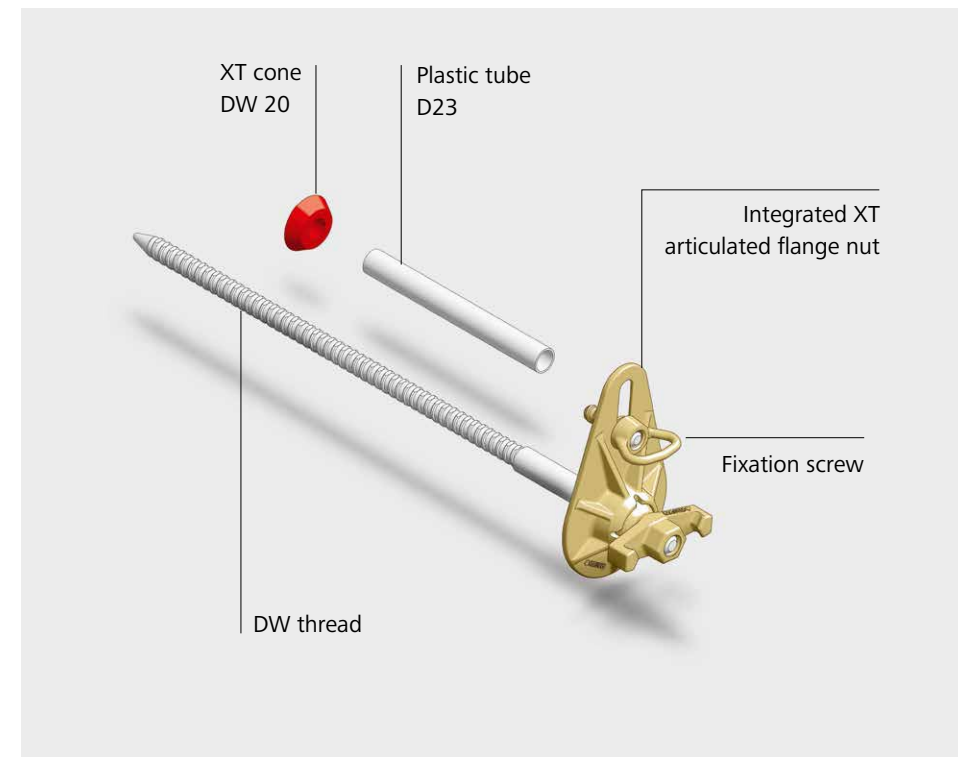
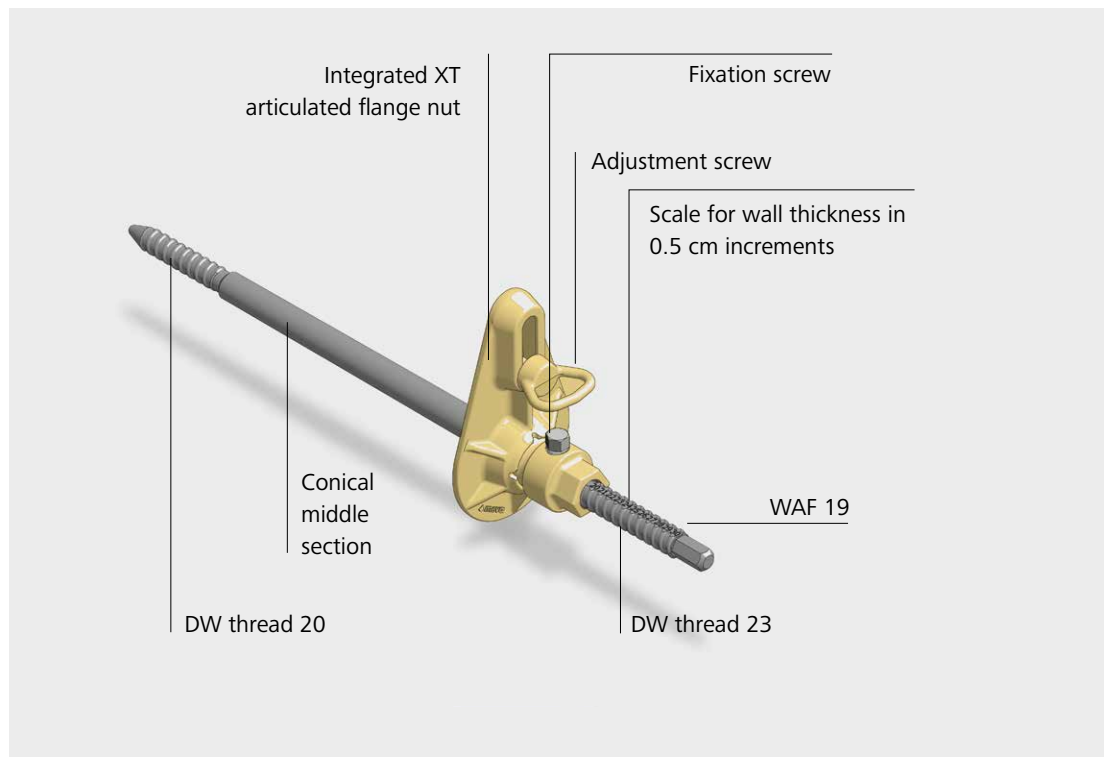
Wall thicknesses up to 85 cm

The XT tie rod DW 20 is available in two lengths and can be used for all wall thicknesses.

- 0–40 cm
- 0–85 cm

The wall thickness is determined by the length of the plastic tube.

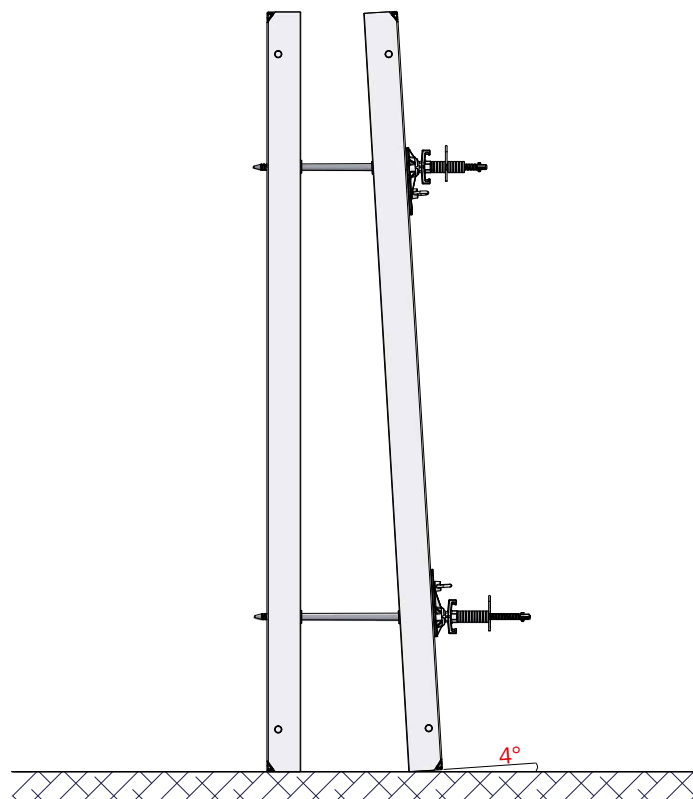
Plastic tubes D23 are available in the corresponding lengths for wall thicknesses of 20, 25, 30 and 35 cm.



XT combination tie hole

Inclined panels

The clever XT combination tie hole and the XT taper tie enable a panel with an angle of inclination up to 4° to be tied simply and quickly. They can also compensate for angular misalignments up to 4° between adjacent and height-extended panels.

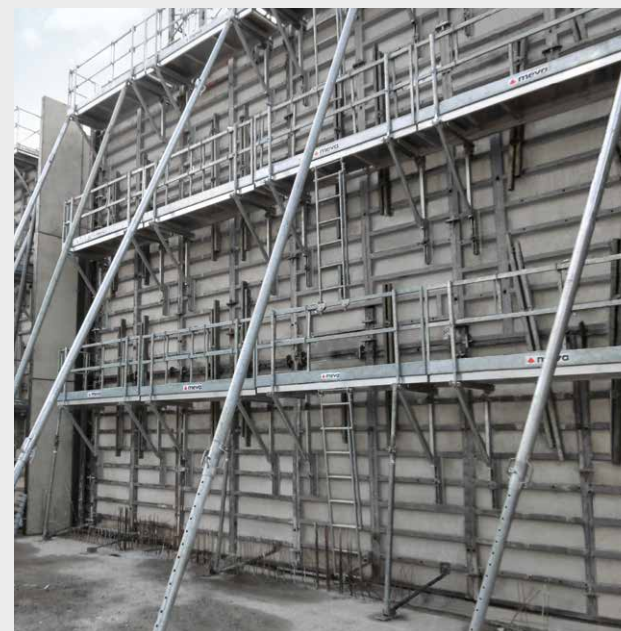


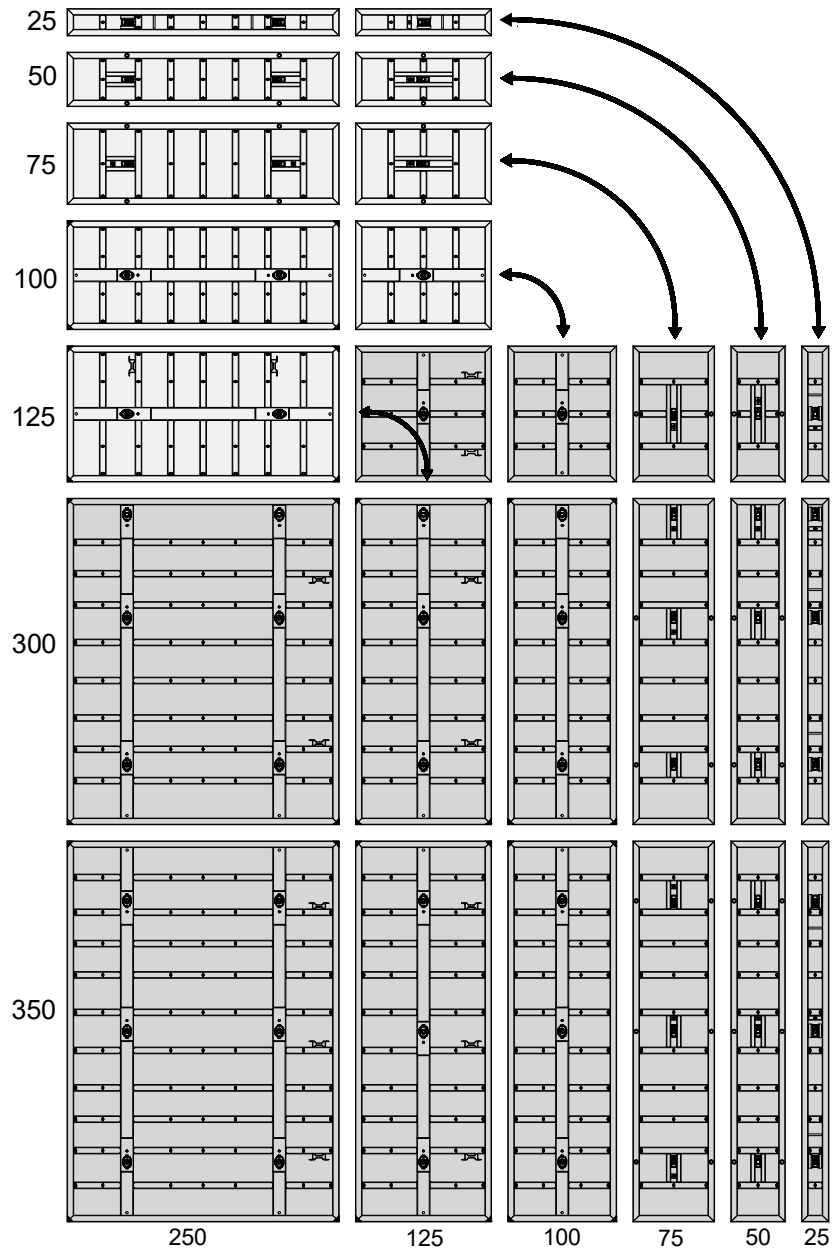
SecuritBasic

Cost-effective all-in system

Modular safety

The safety system with a working platform is easy to install using a single component – the flange screw. A loadbearing capacity of up to 200 kg/m² guarantees start-to-finish safety throughout the assembly and concreting operations.





Always symmetrical

Uniform tie hole and joint pattern

Clean appearance

The Mammut XT panel dimensions and symmetrical internal tie holes result in a uniform tie hole and joint pattern for the highest architectural-concrete requirements. This applies to vertical, horizontal or a combination of vertical and horizontal formwork.



Perfectly coordinated

Optimum size matrix

Vertical, horizontal – perfect!

All Mammut XT panels can be combined vertically or horizontally, or height-extended. The ability to freely combine all panels vertically or horizontally allows for economical width and height extension in increments of 25 cm. Filler areas can also be formed quickly and easily using compensation panels.

Mammut XT panel sizes	Widths [cm]						Compensation panel [Width in cm]	Filler [Width in cm]
	250	125	100	75	50	25		
Heights [cm]							20–50	5
350	■	■	■	■	■	■	■	■
300	■	■	■	■	■	■	■	■
250		■	■	■	■	■	■	■
125		■	■	■	■	■	■	■

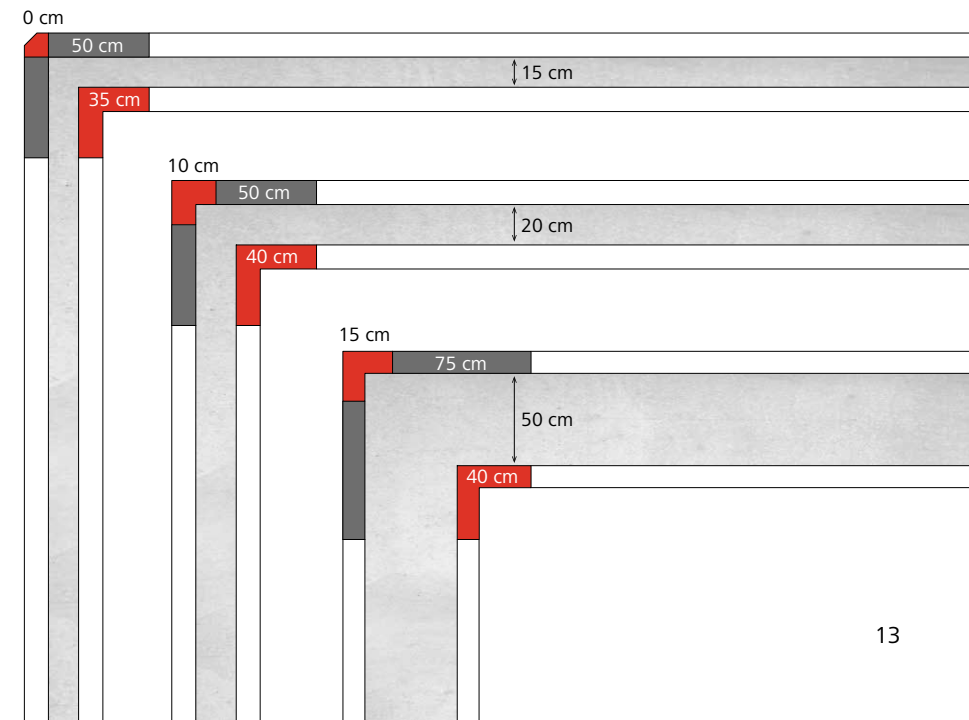
Only 3 outside corners and 2 inside corners

Simple forming of corners

Everything you need

With only three outside corners (side lengths 0, 10 and 15 cm) and two inside corners (side lengths 35 and 40 cm), corners can be formed quickly and easily for all wall thicknesses in 5 cm increments.

With the Mammut XT internal corners and the 50 and 75 cm wide elements with anchoring points in the frame, you can form 90° corners - optionally on two sides - quickly and economically.



Pioneer and trendsetter

More with MEVA

Formwork. Simple. Smart.

A lot of things that are now considered to be standard in the formwork industry were developed by MEVA in Haiterbach. As a trendsetter for the entire industry, we work day in and day out with great élan to make formwork even safer, more efficient and easier to use for the end user. For us, the excellent quality of our products and technology is a matter of course.

We are independent, family-run and committed to the values of a medium-sized company in everything we do. That is why our customers may rightly expect not only technologically superior products but also comprehensive, personal commitment to projects all around the world.

Complex special formwork or economical standard formwork: Our experience and wide range of products make us a service partner with strong consulting skills, even for the sophisticated challenges construction professionals have to master nowadays.

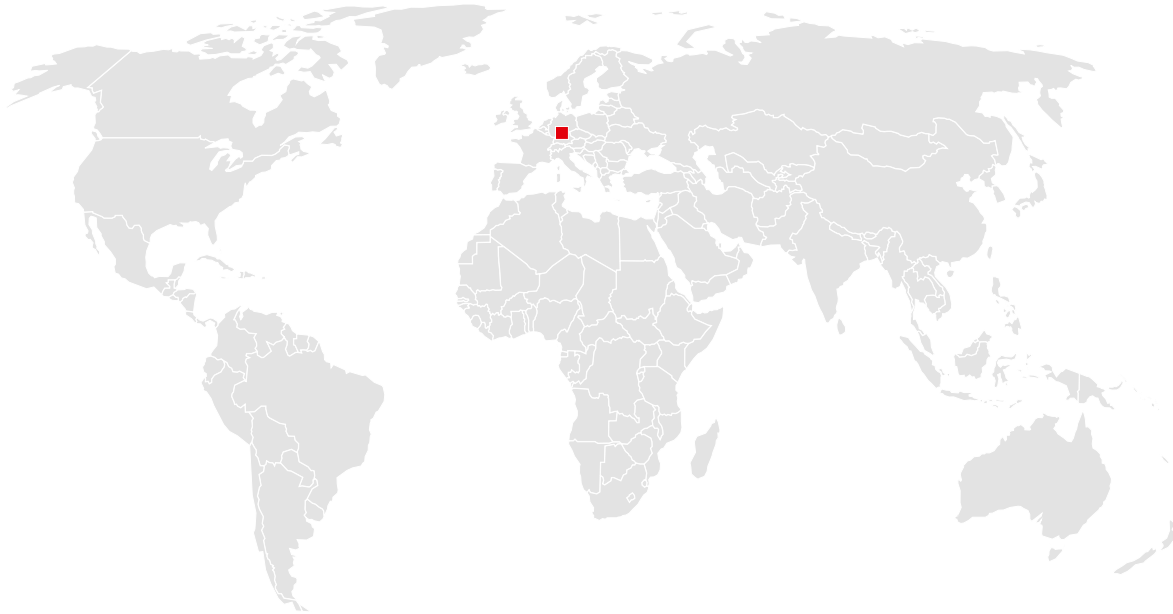
*Formwork.
Simple. Smart.*

▲ meva



You can rely on us wherever you are.

With 40 offices on 5 continents, we are
on the spot wherever you need us.



Headquarters (Germany)

MEVA Schalungs-Systeme GmbH
Industriestrasse 5
72221 Haiterbach
Tel. +49 7456 692-01
Fax +49 7456 692-66

info@meva.net
www.meva.net

Subsidiaries/international bases

AE-Dubai	Tel. +971 4 8042200	LATAM	latam@meva.net
AT-Pfaffstätten	Tel. +43 2252 20900-0	LU-Rodange	Tel. +352 20 283747
AU-Adelaide	Tel. +61 8 82634377	MA-Casablanca	Tel. +212 684-602243
BE-Landen	Tel. +32 11 717040	MY-Perak	Tel. +60 12 5209337
BH-Riffa	Tel. +973 3322 4290	NL-Gouda	Tel. +31 182 570770
CA-Toronto	Tel. +1 416 8565560	NO-Oslo	Tel. +47 67 154200
CH-Seon	Tel. +41 62 7697100	PA-Panama City	Tel. +507 2372222
DK-Holbæk	Tel. +45 56 311855	PH-Manila	Tel. +63 998 5416975
FR-Sarreguemines	Tel. +33 387 959938	QA-Doha	Tel. +974 4006 8485
GB-Tamworth	Tel. +44 1827 60217	SG-Singapore	Tel. +65 67354459
HU-Budapest	Tel. +36 1 2722222	US-Springfield	Tel. +1 937 3280022
IN-Mumbai	Tel. +91 22 27563430		



MEVA Schalungs-Systeme GmbH

Industriestrasse 5 Tel. +49 7456 692-01
72221 Haiterbach Fax +49 7456 692-66
Germany info@meva.net

www.meva.net