



Mammut 350

Heavy-Duty Formwork




Mammut 350

Thinking big with Mammut

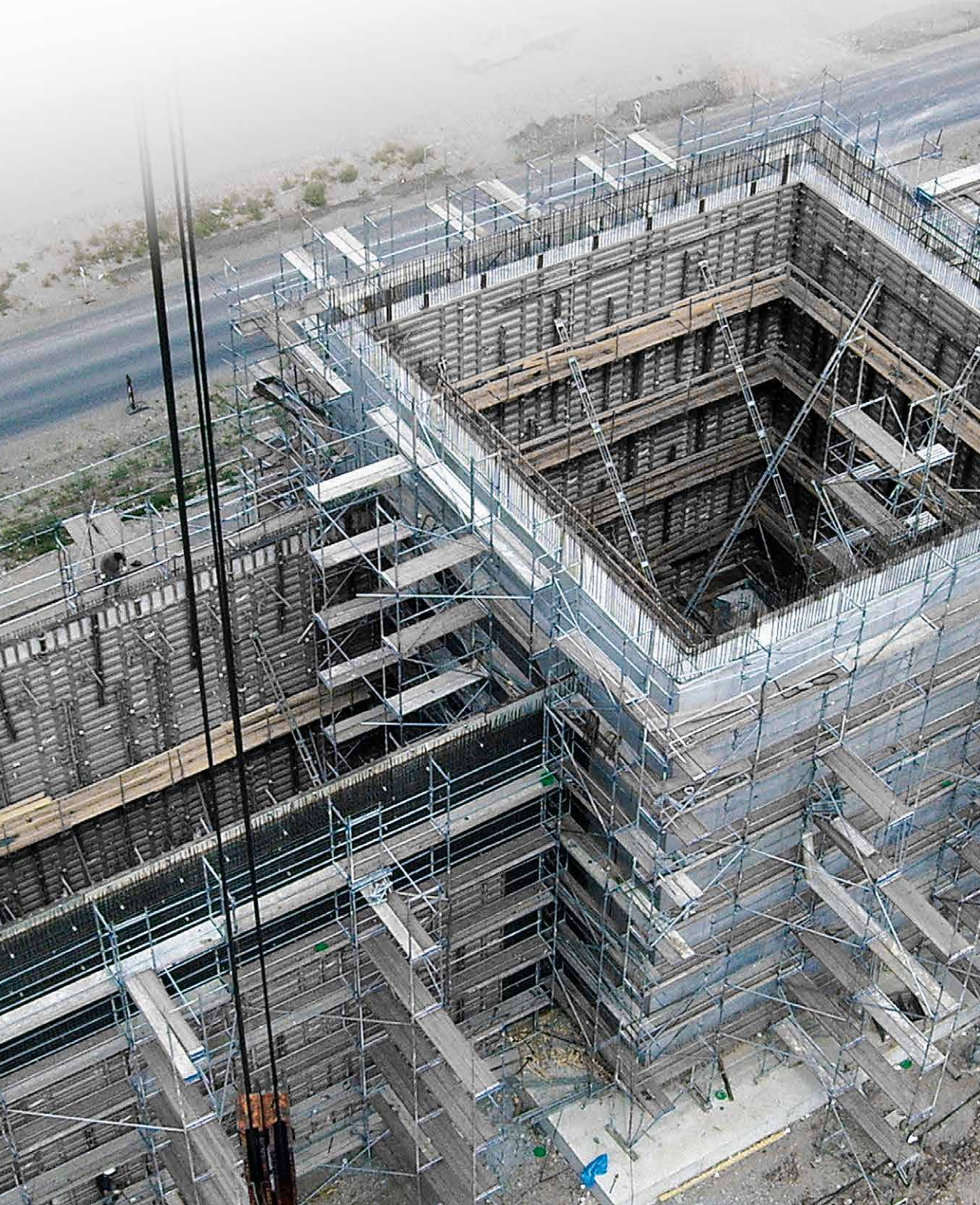
Full-surface concrete load capacity up to 100 kN/m²

Through its pioneering development in the 1980s of the large-scale, modular, panelised formwork system known as Mammut, MEVA opened up a whole new dimension in formwork efficiency.

Delivering the optimum combination of cost-effectiveness and flexibility for industrial construction and civil engineering, the Mammut product family regularly sets new benchmarks in the formwork market. The outstanding feature of Mammut 350 is its ability to accommodate fresh concrete pressures of up to 100 kN/m² over the entire surface.



The system-inherent MEVA features make Mammut 350 a byword for time-saving, cost-effective formwork.



1

Simply smart

Mammut 350 heavy-duty formwork

- **Size**
 - Up to 8.75 m² contact area per panel (350 x 250 cm)
 - For storey heights up to 350 cm without vertical extension
- **Capacity**
 - Permissible fresh concrete pressure (to DIN 18218) over entire surface of 100 kN/m² (DIN 18202, Tab. 3, Line 7)
- **Universal application in industrial construction and civil engineering**
- **Closed hollow steel frame profile**
 - Structurally robust
 - Torsion-proof
 - Hot-dip galvanised to facilitate cleaning and reduce concrete adhesion
- **Smart multifunctional profile**
 - Welded-in Dywidag nuts
 - All accessories, e.g. brackets, push-pull props and alignment rails, attached with MEVA flange screw
- **Tying for inclined or stepped-level formwork**
 - Tie hole with conical steel anchor sleeve, welded in from both sides
- **Intelligent MEVA product design**
 - MEVA assembly lock for a structurally continuous connection with only a few hammer blows
 - Bump notches for panel widths of 125 cm and more to simplify adjustment and alignment with crow bar
 - High-quality alkus all-plastic facing with 7-year warranty
- **Compatible with Mammut XT**
which combines three tying methods in a single system

Mammut 350

A wall full of ideas

MEVA quality in every detail

MEVA systems excel through their supreme standards of quality, efficiency and practical detailing. And the tried-and-tested Mammut 350 heavy-duty formwork is no exception. With standardised system components, a minimum of accessories and a closely tailored product range, it combines all the features that make MEVA systems the unbeatable solution for practical on-site operations.

Particular features of the Mammut 350 wall formwork panels include:

- Seven multi-function profiles for 350 cm high panels
- Tie holes level with multi-purpose profiles
- Regular tie hole and joint pattern
- Compatible with innovative Mammut XT system

Flange screw

Single component for strong connection of all accessories



Multi-function profile

Made from closed hollow steel profiles with welded-in DW 15 nuts for rapid, structurally continuous connection of accessories

Tie hole

With conical anchor sleeve, welded in from both sides

Closed hollow profile

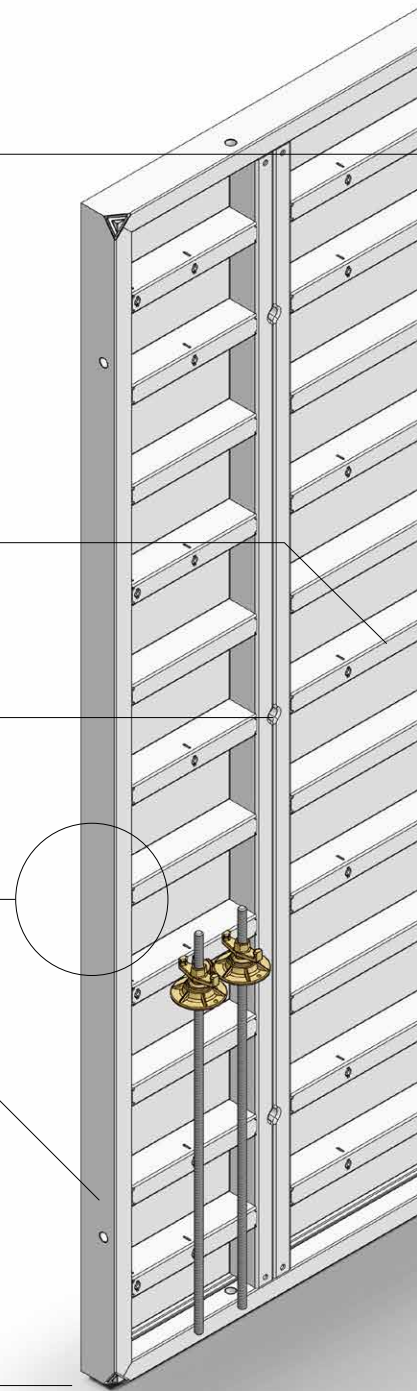
For high stability and a long service life

Transport hole

Designed to take the lifting hook 60 for rapid loading/unloading and movement of panel stacks

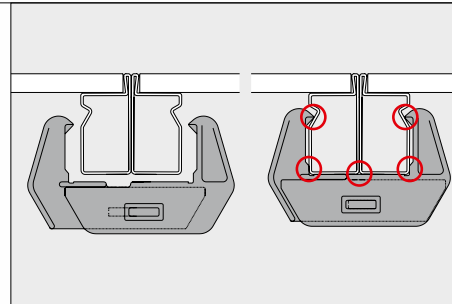
Bump notch

Fitted at four corners for panel widths of 125 cm and more to simplify adjustment and alignment with crow bar





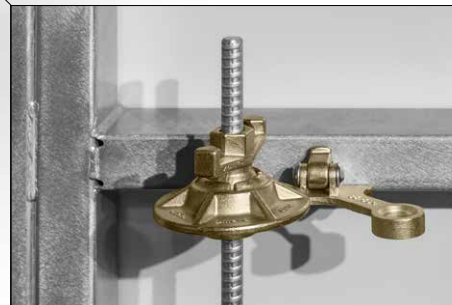
Compatible with flexible Mammut XT wall formwork system



M assembly lock

Only one component needed for rapid, reliable panel connection: MEVA assembly lock. Allows single-handed fitting at any position along the frame. A few hammer blows suffice to achieve a strong, level and stepless panel connection.

Hot-dip galvanised frame
Surface finish facilitates cleaning and reduces concrete adhesion



Tie rod fixture
For fixing to multi-purpose profile of upright or horizontal Mammut 350 panels – for fast and safe transportation on site.



alkus all-plastic facing
No water absorption, resistant to swelling and shrinkage. Smooth, robust surface guarantees a high-quality concrete finish, even after heavy use.

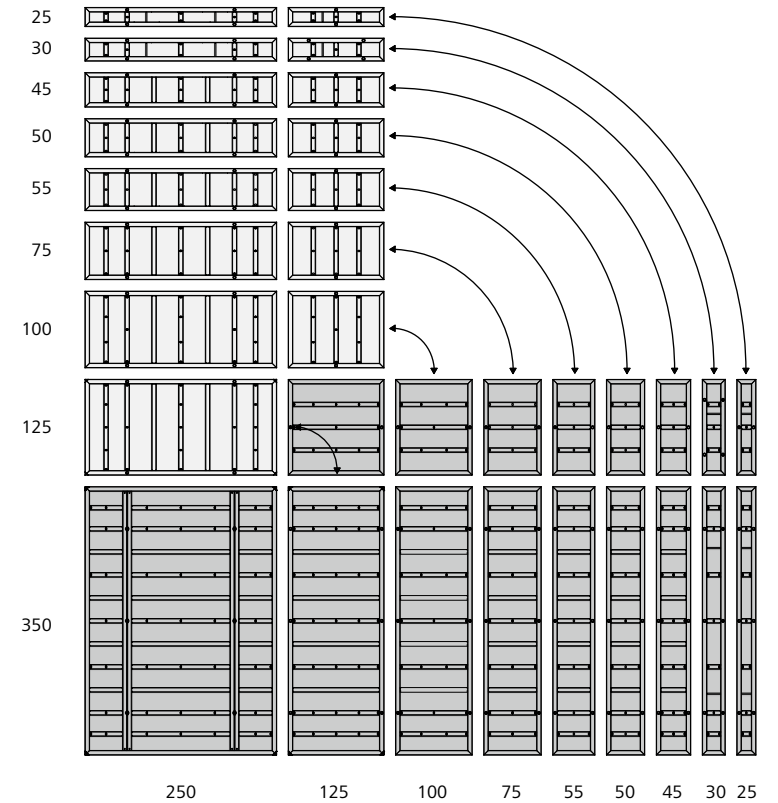
Systematic symmetry

Panels and corners

For high flexibility

The wide range of Mammut 350 panels ensures prompt and flexible form-work assembly for rapid progress on site. All panels can be set in an upright or horizontal position to ensure easy adaptation to specific layout geometries. The system offers a particularly cost-effective solution on projects with varying storey heights, e.g. residential or commercial buildings with basement car parks.

- Panel heights of 350, 300, 250 and 125 cm
- Panel widths from 250 to 25 cm
- 90° inside and outside corners
- Hinged corners continuously adjustable between 60 and 180°, with locking device for frequently recurring angles
- All corner configurations formed with standard corner panels



Height [cm]	Panel width [cm]									CP	Corner panels					Fillers
	250	125	100	75	55	50	45	30	25		IC	OC	HIC	HOC	SC	
350	■	■	■	■	■	■	■	■	■	■	■	■	■	■	■	■
300	■	■	■	■	■	■	■	■	■	■	■	■	■	■	■	■
250		■	■	■	■	■	■	■	■	■	■	■	■	■	■	■
125		■	■	■	■	■	■	■	■	■	■	■	■	■	■	■

- SE Column panel, width 125 cm
- IC Inside corner, side length 25 cm
- OC Outside corner
- HIC Hinged inside corner, side length 40 cm
- HOC Hinged outside corner, side length 12.5 cm
- SC Stripping corner, side length 25 cm
- FS Filler strip, 5 cm

Large-scale formwork

Mammut 350 saves time

Rapid progress

Mammut 350 is easy to set up and allows unlimited pour speeds for heights of up to 4 m. Large formats, with a maximum of 8.75 m² per panel, ensure rapid progress of work on site. Storey heights of up to 350 cm can be cast with a single panel, with no need for vertical extension.

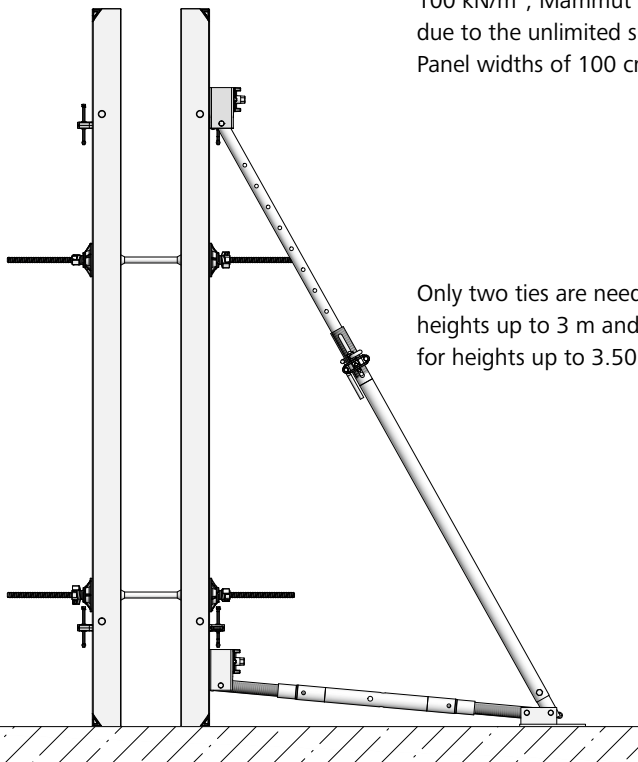


Concrete pressure

Mammut 350 honours its promises

Top performance

Accommodating maximum permissible fresh concrete pressures of 100 kN/m^2 , Mammut 350 offers outstandingly short pour times due to the unlimited speeds possible for concrete lifts of up to 4 m. Panel widths of 100 cm or more require the use of DW 20 tie rods.



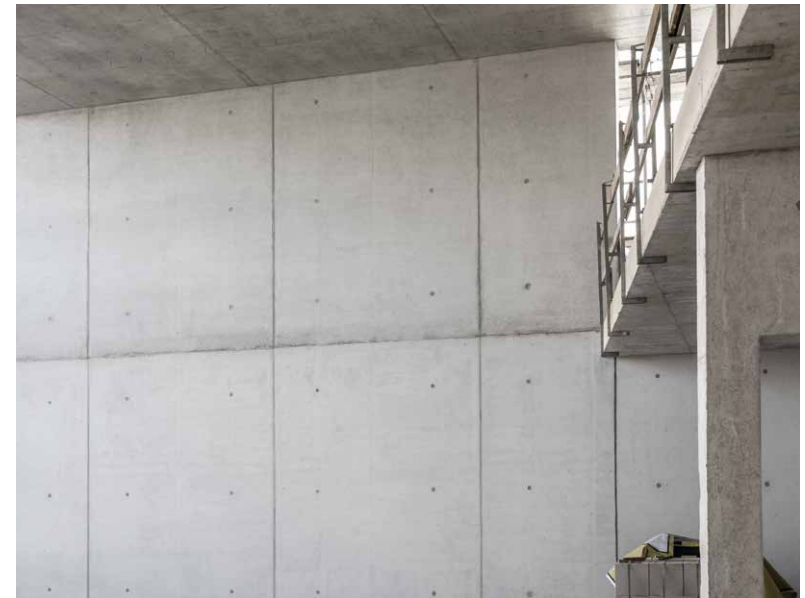
Only two ties are needed for heights up to 3 m and three for heights up to 3.50 m.

True architectural quality

Ideal for fair-faced concrete

Harmonious results

Mammut 350 offers the ideal solution in meeting the diverse requirements placed on fair-faced concrete. The visual impact achieved by the alkus all-plastic facing, in conjunction with the symmetrical tie and joint pattern, ensures that – whatever the specified grade of fair-faced concrete – the system significantly enhances the overall architectural appeal of any project.



SecuritBasic

Cost-effective all-in system

Modular safety

This safety system with a working platform is easy to install using a single component – the flange screw. A loadbearing capacity of up to 200 kg/m² guarantees start-to-finish safety throughout the assembly and concreting operations.



Pioneer and trendsetter

More with MEVA

Formwork. Simple. Smart.

A lot of things that are now considered to be standard in the formwork industry were developed by MEVA in Haiterbach. As a trendsetter for the entire industry, we work day in and day out with great élan to make formwork even safer, more efficient and easier to use for the end user. For us, the excellent quality of our products and technology is a matter of course.

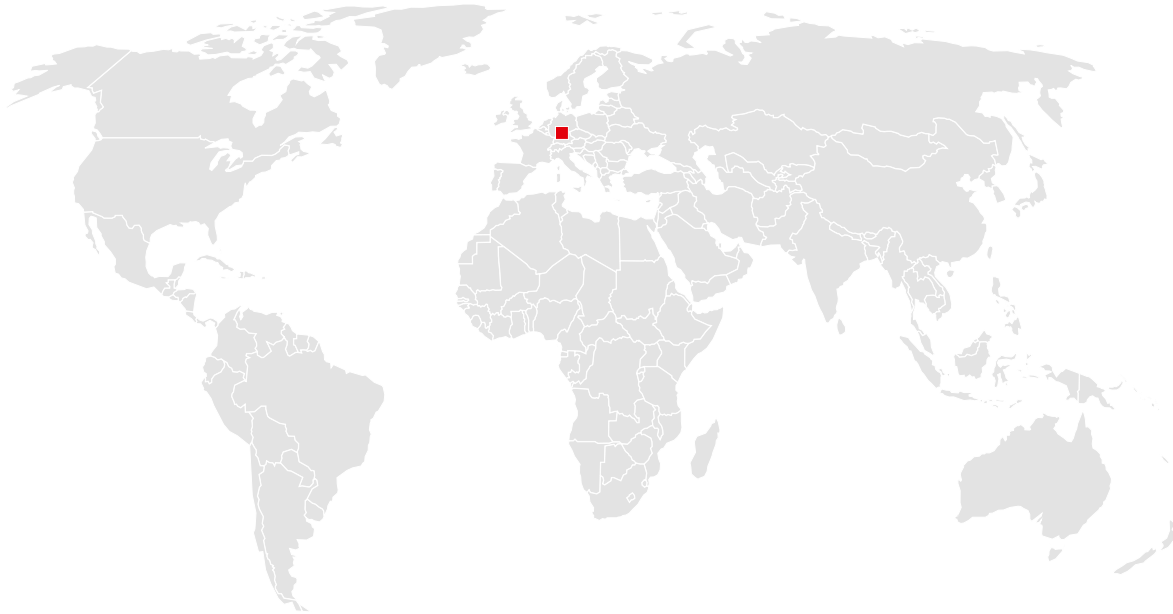
We are independent, family-run and committed to the values of a medium-sized company in everything we do. That is why our customers may rightly expect not only technologically superior products but also comprehensive, personal commitment to projects all around the world.

Complex special formwork or economical standard formwork: Our experience and wide range of products make us a service partner with strong consulting skills, even for the sophisticated challenges construction professionals have to master nowadays.



You can rely on us wherever you are.

With 40 offices on 5 continents, we are
on the spot wherever you need us.



Headquarters (Germany)

MEVA Schalungs-Systeme GmbH
Industriestrasse 5
72221 Haiterbach
Tel. +49 7456 692-01
Fax +49 7456 692-66

info@meva.net
www.meva.net

Subsidiaries/international bases

AE-Dubai	Tel. +971 4 8042200	LATAM	latam@meva.net
AT-Pfaffstätten	Tel. +43 2252 20900-0	LU-Rodange	Tel. +352 20 283747
AU-Adelaide	Tel. +61 8 82634377	MA-Casablanca	Tel. +212 684-602243
BE-Landen	Tel. +32 11 717040	MY-Perak	Tel. +60 12 5209337
BH-Riffa	Tel. +973 3322 4290	NL-Gouda	Tel. +31 182 570770
CA-Toronto	Tel. +1 416 8565560	NO-Oslo	Tel. +47 67 154200
CH-Seon	Tel. +41 62 7697100	PA-Panama City	Tel. +507 2372222
DK-Holbæk	Tel. +45 56 311855	PH-Manila	Tel. +63 998 5416975
FR-Sarreguemines	Tel. +33 387 959938	QA-Doha	Tel. +974 4006 8485
GB-Tamworth	Tel. +44 1827 60217	SG-Singapore	Tel. +65 67354459
HU-Budapest	Tel. +36 1 2722222	US-Springfield	Tel. +1 937 3280022
IN-Mumbai	Tel. +91 22 27563430		



MEVA Schalungs-Systeme GmbH

Industriestrasse 5 Tel. +49 7456 692-01
72221 Haiterbach Fax +49 7456 692-66
Germany info@meva.net

www.meva.net